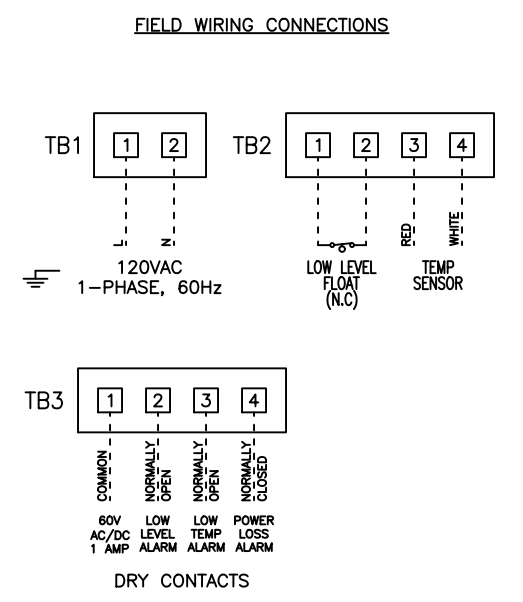
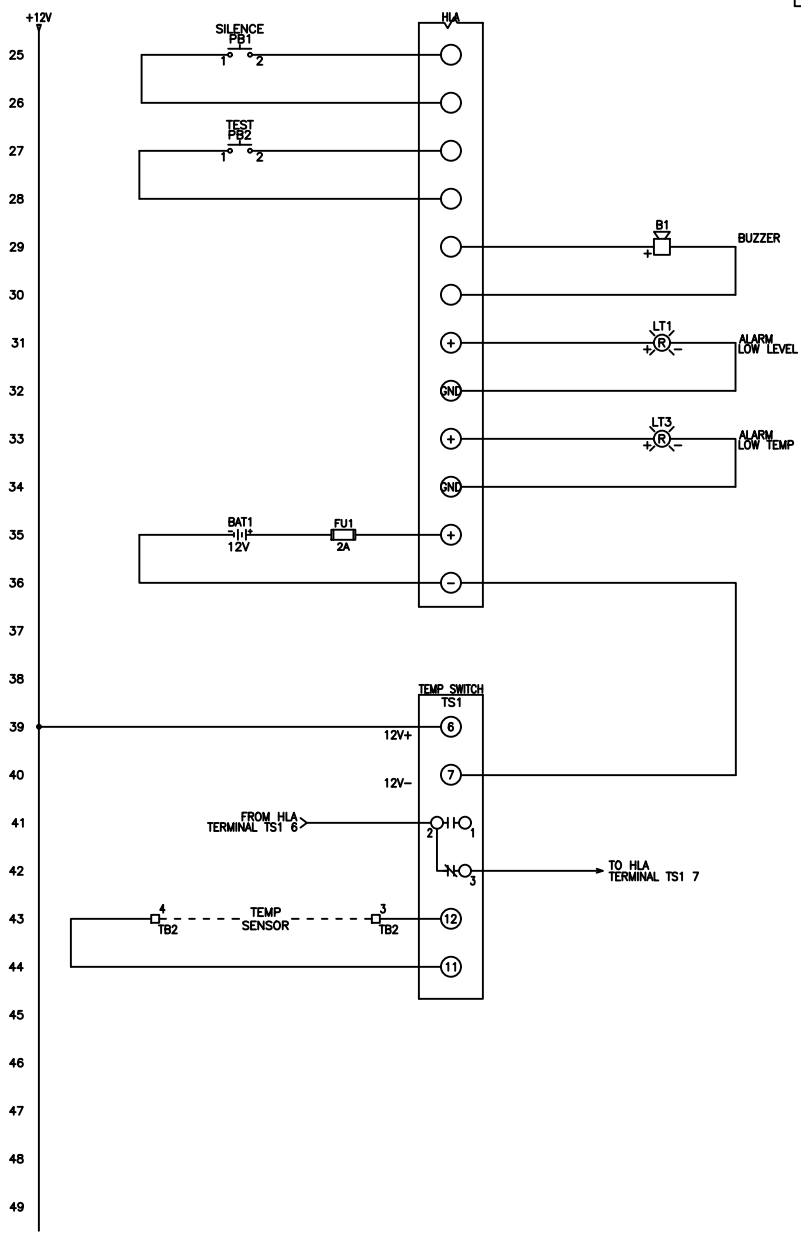
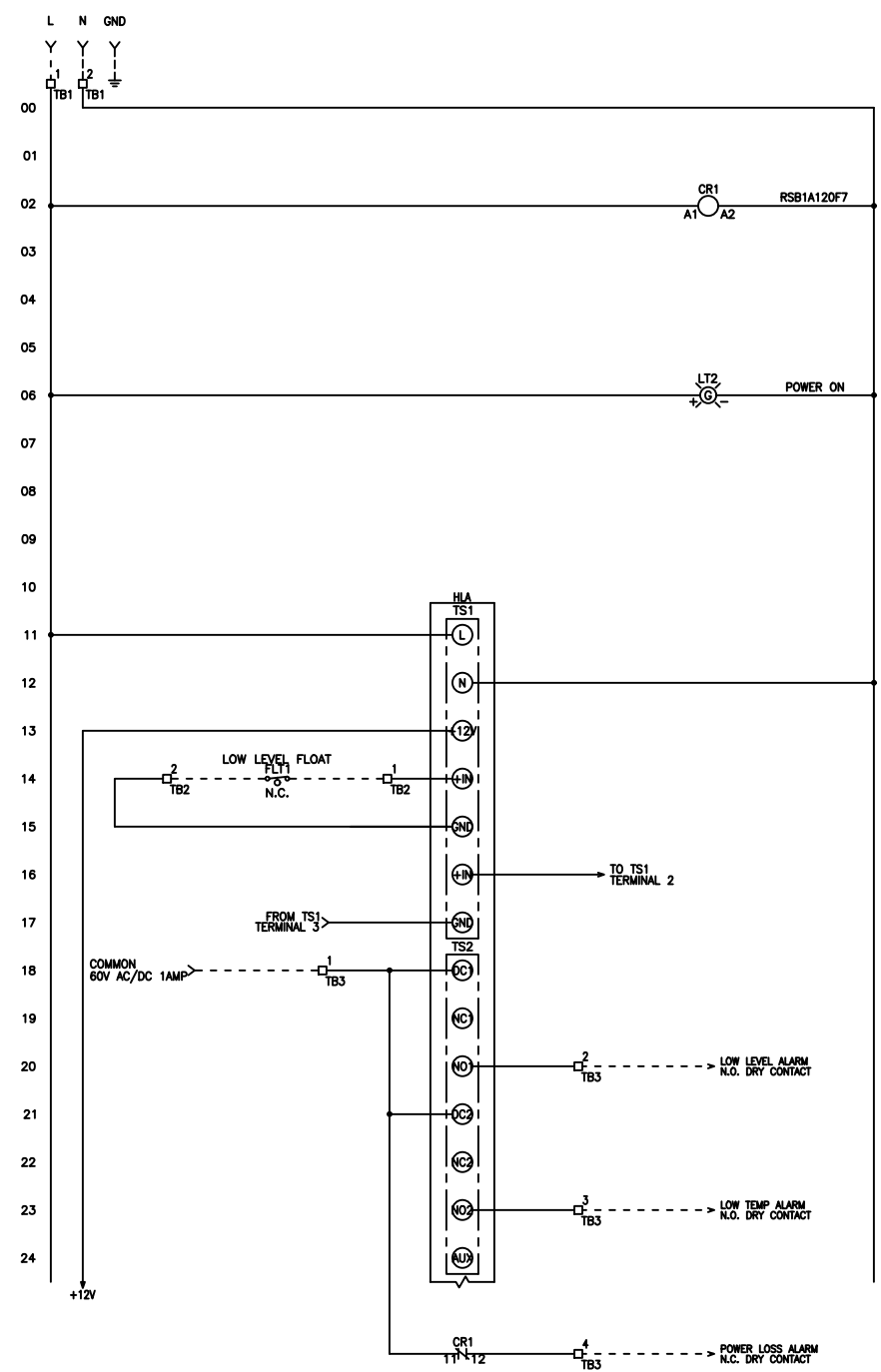


FRAME: FC-40

REVDATE: 0420

REVISIONS				
ZONE	REV	DESCRIPTION	DATE	APPROVED
	A	UPDATED CONTENT FOR NEW LAYOUT	6/11/18	
	B	UPDATED TB1 AND TB2	1/14/19	
	C	UPDATED TEMP SWITCH WIRING	12/9/19	AO
	D	SEPARATED TB1 INTO TWO TERMINALS	1/23/20	AO
	E	UPDATED HLA SUPPLY POWER WIRING	1/28/20	AO
	F	REMOVED 208/240VAC SUPPLY POWER OPTIONS	2/21/20	AO
	G	UPDATED FIELD WIRING CONNECTIONS	4/27/20	AO



----- DASHED LINE INDICATES FIELD WIRING.

USE COPPER CONDUCTORS ONLY.

TEMPERATURE RATING OF CONDUCTORS IS TO BE:
 60°C (140°F) FOR UNDER 100A.
 75°C (167°F) FOR OVER 100A.

BRANCH CIRCUIT PROTECTION SHALL BE PROVIDED BY THE INSTALLER: MUST BE SIZED ACCORDING TO PUMP/MOTOR MANUFACTURING SPECIFICATIONS.

VERIFY CORRECT OPERATION OF CONTROL PANEL AFTER INSTALLATION IS COMPLETE.

FIELD WIRING TORQUE SPECS.	
TERMINAL BLOCK UT 2,5	5 IN-LB
TERMINAL BLOCK UT 4	7 IN-LB
TERMINAL BLOCK UT 6	15 IN-LB
TERMINAL BLOCK UT 10	15 IN-LB
TERMINAL BLOCK UT 16	25 IN-LB
TERMINAL BLOCK UT 35	30 IN-LB
TS1, TS2, J2 & J3 PCB	5 IN-LB
TRANSFORMER H1F, H2F & H3F	15 IN-LB
TRANSFORMER H1, H2 & H3	10 IN-LB
M.D. VLS3P16-63 R1	16 IN-LB
M.D. VLS3P63-125 R1	45 IN-LB
M.D. LK4JU3CN 100A	36 IN-LB
M.D. LK4MU3N 200A	200 IN-LB
M1/ M2 T1, T2 & T3	15 IN-LB

DRAWN BY: MM DATE: 4/5/15

APPROVED BY: DATE:

THIS DRAWING CONTAINS PROPRIETARY INFORMATION AND SHALL NOT BE USED OR DISCLOSED WITHOUT PRIOR WRITTEN AUTHORIZATION.



TITLE: FC-40 CONTROL SCHEMATIC			
SIZE: B	DWG NO.: 1547	PART NO.: FC-40	REV: G
SCALE: NONE	SHEET: 1 OF 1		